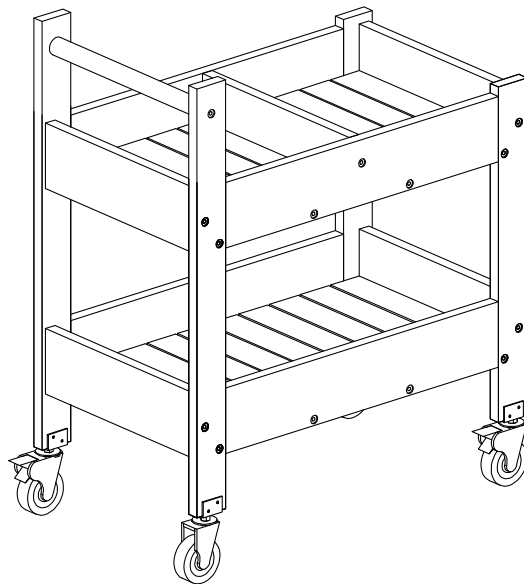




modern teaching aids

Storage Art Trolley



**DO NOT DRAG THIS ITEM.
ALWAYS LIFT WHEN MOVING OR THE
SCREWS WILL LOOSEN
IMPORTANT:RETAIN FOR FUTURE
REFERENCE**

Imported by:

Modern Teaching Aids
Level 1,122-126 Old Pittwater Road,Brookvale,NSW,2100,
Australia

1. MAINTENANCE OF YOUR KITCHEN WASHER UNIT

Periodic cleaning of your eucalyptus furniture is always a good thing, as it will help to maintain the general appearance, and prevent dirt from building up. Hosing the wood off will do the trick, but we don't recommend a high pressure washer. Clean using a mild solution of warm water and a little detergent (you can even add a few tablespoons of bleach). Then rinse with fresh water. Some people prefer to cover their furniture when they are not using it for long periods of time, which will help keep it clean and protected (especially in areas with a lot of tree sap or dust), but is not essential. When left outdoors eucalyptus furniture will naturally weather to a silver grey colour. You will begin to notice the "greying" after a few months, depending on the amount of sun and rain your furniture is exposed to. Total weathering usually takes about 6-8 months. During the weathering process a slight "checking" or roughening of the grain may occur in spots. You may even notice a few small cracks which is not a structural defect, but a perfectly natural process, as the wood expands and contracts, adjusting to the elements. Water spots or other discoloration may also occur during the weathering process. These will eventually even out, and the furniture will take on a uniform silver-grey colour.

We recommend to oil with a natural oil to maintain the beautiful timber surface and for delaying the weathering process.

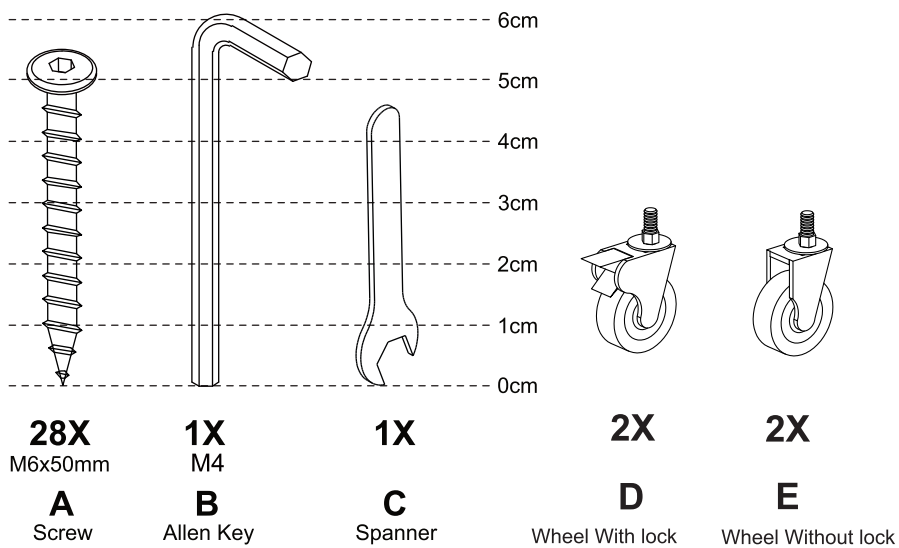
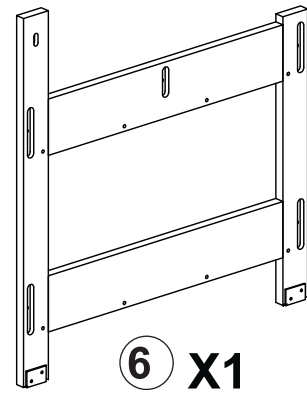
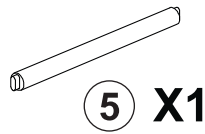
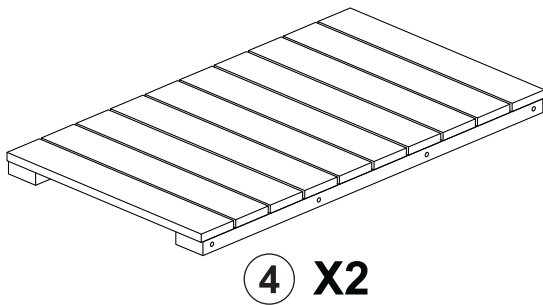
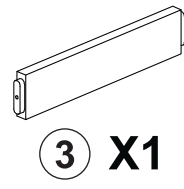
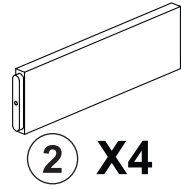
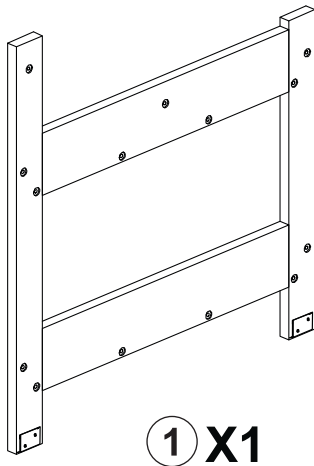
2. GENERAL INFORMATION

Please read carefully before you start.

KEEP FOR FUTURE REFERENCE

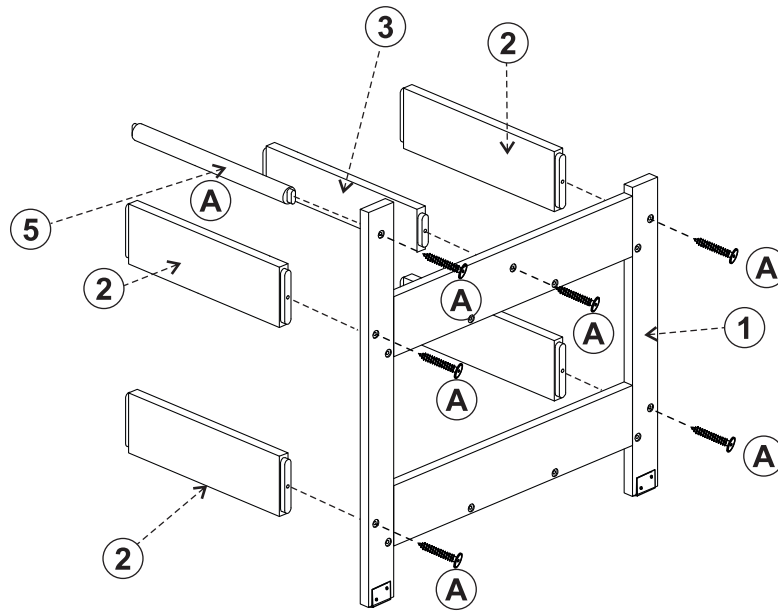
Always keep medication, strings, elastic, small toys or other small items such as money, out of reach of small children.

PARTS & HARDWARES

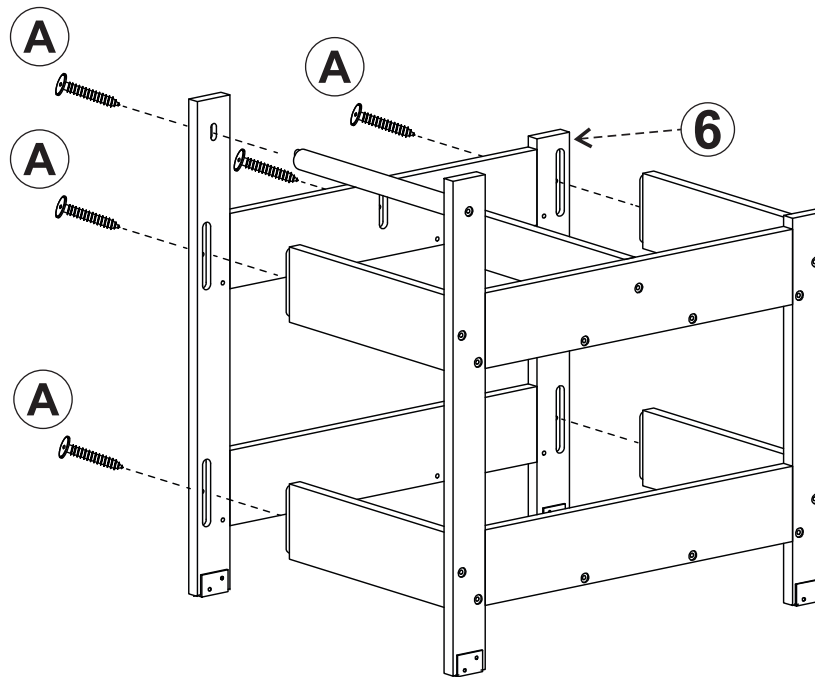


ASSEMBLY

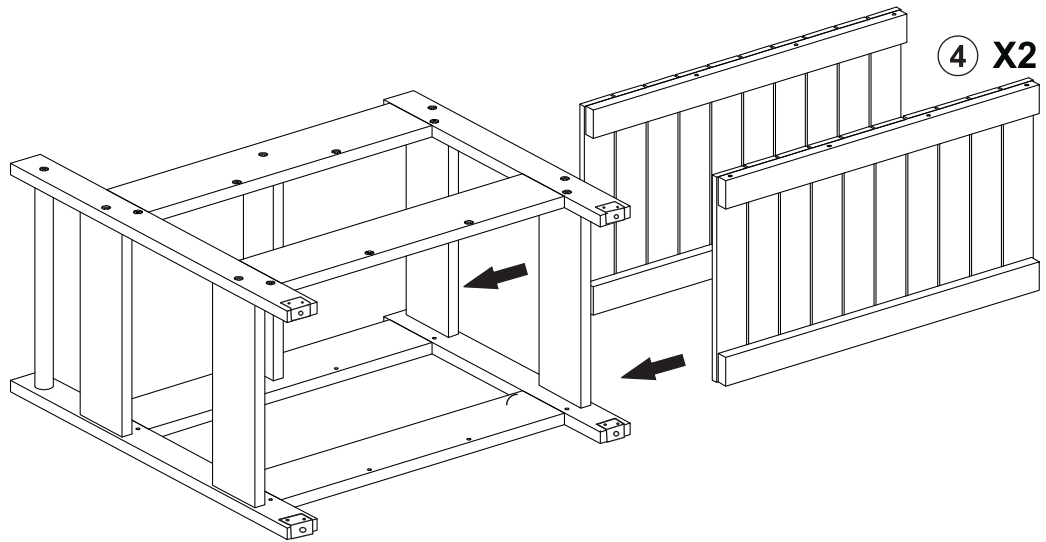
1



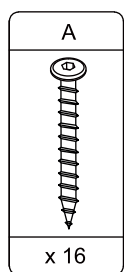
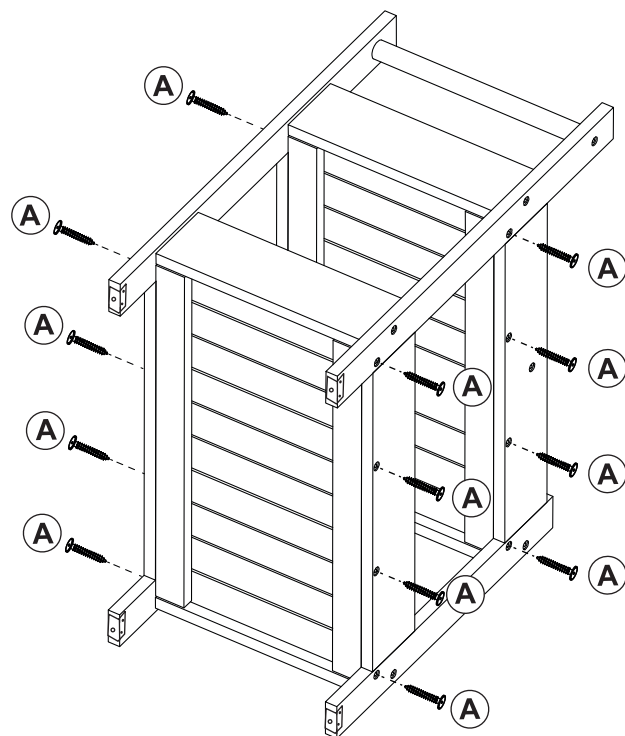
2



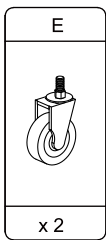
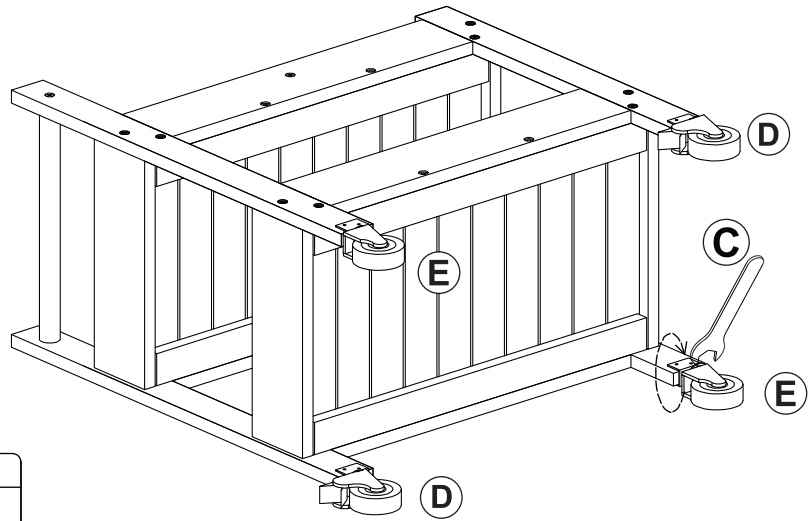
3



4



5



6

