

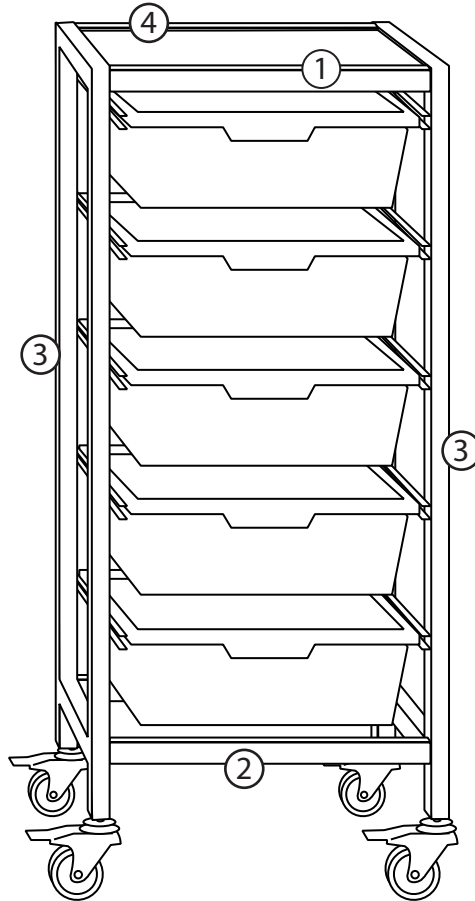
# Single Tote Tray Trolley Frame - Tote Trays Optional

Code: ERSTF

## Contents:

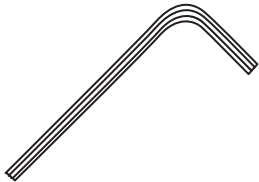
- 2 x Top Rails (With Wooden Trolley Top brackets) ①
- 2 x Bottom Rails ②
- 2 x End Frames ③
- 1 x Wooden Trolley Top ④
- 10 x Tray Rails

**Tote Trays  
sold separately**

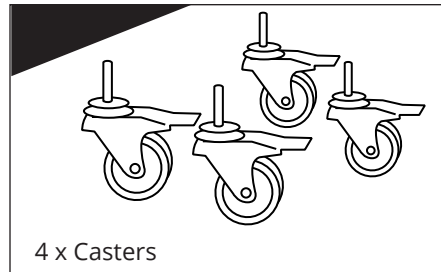
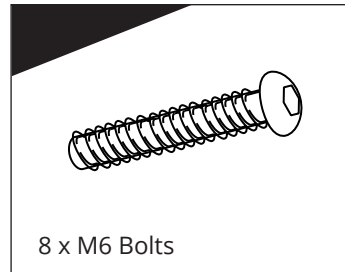


### You will need:

Allen Key (supplied)



### Hardware:



**Elizabeth Richards School Supplies PTY LTD**

**Ph: 1300 137 064**

**E: sales@elizabethrichards.com.au**

**www.elizabethrichards.com.au**

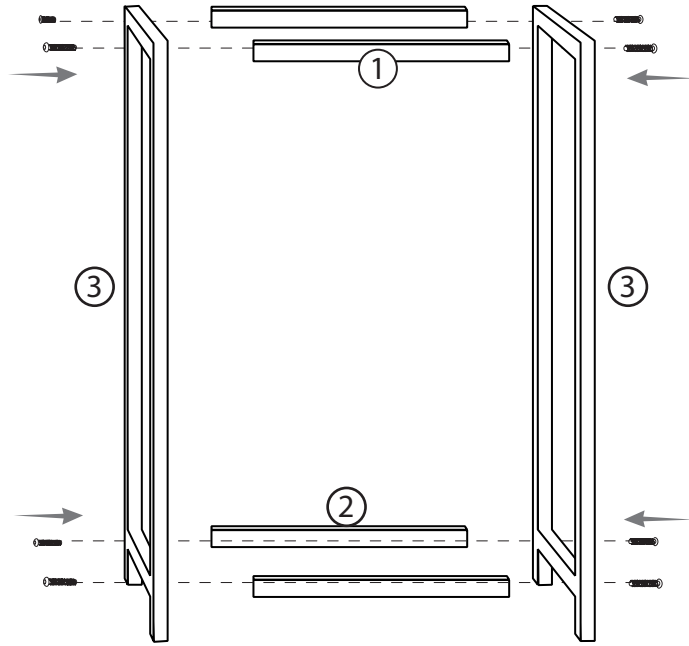
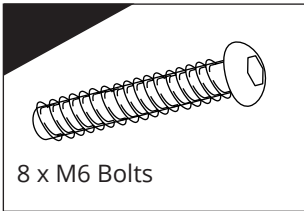
To start: Unpack contents and lay out on the floor. Identify all the parts and read through instructions to familiarize yourself with the construction process.

## Step 1

Identify the Top ① and Bottom Rails ② (the top rails have tabs to hold the wooden top in place). Screw the two end Frames ③ into all four rails using 8 bolts.

**NOTE: Make sure the rail holes are facing Inwards.**

**Do not fully tighten bolts at this stage.**



## Step 2

Screw the 4 castors to the end frames and place the wooden top into the frame.

**NOTE: Now fully tighten all bolts.**

Attach the rails to the rail holes in the frame to hold your combination of Tote Trays.

