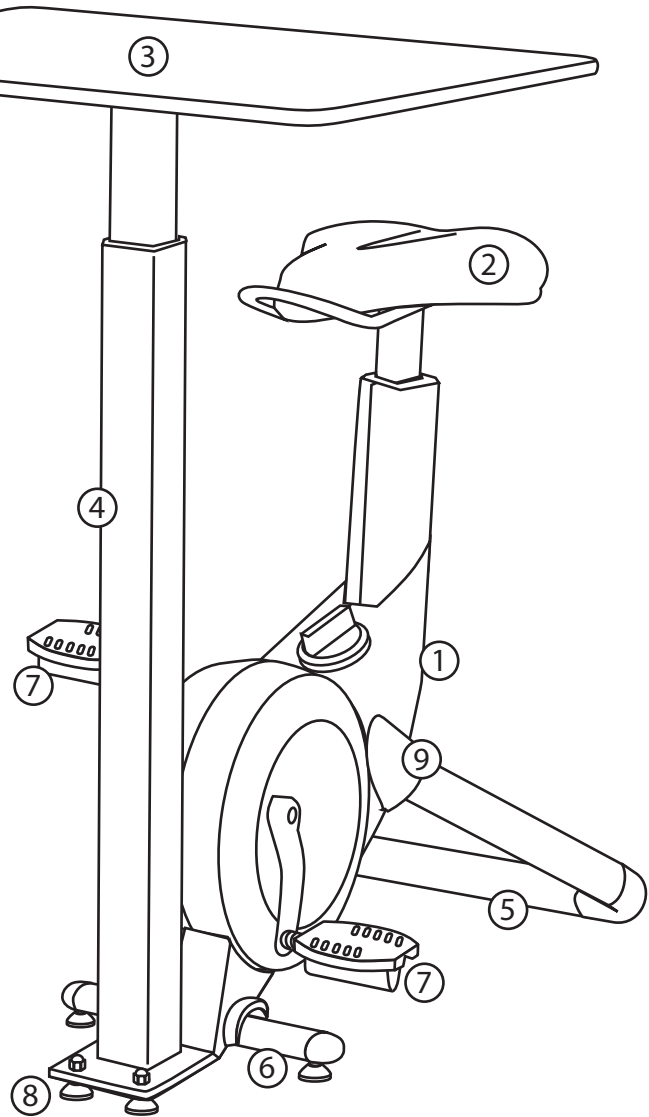


Senior Pedal Desk

Code: ERPD

Contents:

- 1 x Main Frame with Pedal Mechanism ①
- 1 x Saddle ②
- 1 x Desktop ③
- 1 x Pneumatic Lifting Column ④
- 1 x Back Support Rail ⑤
- 1 x Front Support Foot ⑥
- 2 x Pedals ⑦
- 4 x Adjustable Levels ⑧
- 2 x Decorative Covers ⑨



ATTENTION:

Do not set up on an un-even surface - Keep the Senior Pedal Desk on a flat solid surface. Follow the warnings posted on the equipment. Inspect the equipment regularly and tighten any loose components.

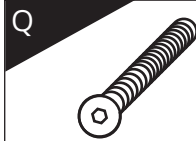
Hardware:



2 x M1 Nut
(Front support)



4 x Adjustable Leveler
(Front support)



2 x M8 50mm Bolt
(Front Support Foot)



4 x M8 12mm Bolt
(Back Support Rail)



2 x M6 10mm Bolt
(Seat Switch)



4 x M6 16mm Bolt
(Table Top)



4 x M6 60mm Bolt
(Lifting Column)



4 x Spring Washer
(Lifting Column)



4 x Washer
(Lifting Column)



2 x 16mm Screw
(Table Top Switch)



3 x M1 Nut
(Seat)

Elizabeth Richards School Supplies PTY LTD

Ph: 1300 137 064

E: sales@elizabethrichards.com.au

www.elizabethrichards.com.au

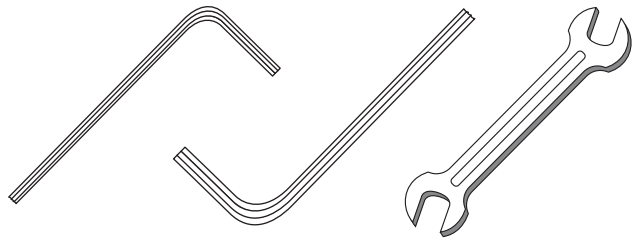
The Basics

You will need:

A small spanner.

A Small Allen Key (provided)

A Large Allen Key (provided)



Step 1

Place the Back Support Rail (5) under the Main Frame (1) and slide it into the opening gently. align the screw holes and secure with 4 x M8 12mm Bolts (R).

Use the Allen Key to tighten.

NOTE: If easier the Main Frame can be turned upside down to assemble.

Step 2

Attach front support foot (6) to the main frame (1) aligning the two holes on each.

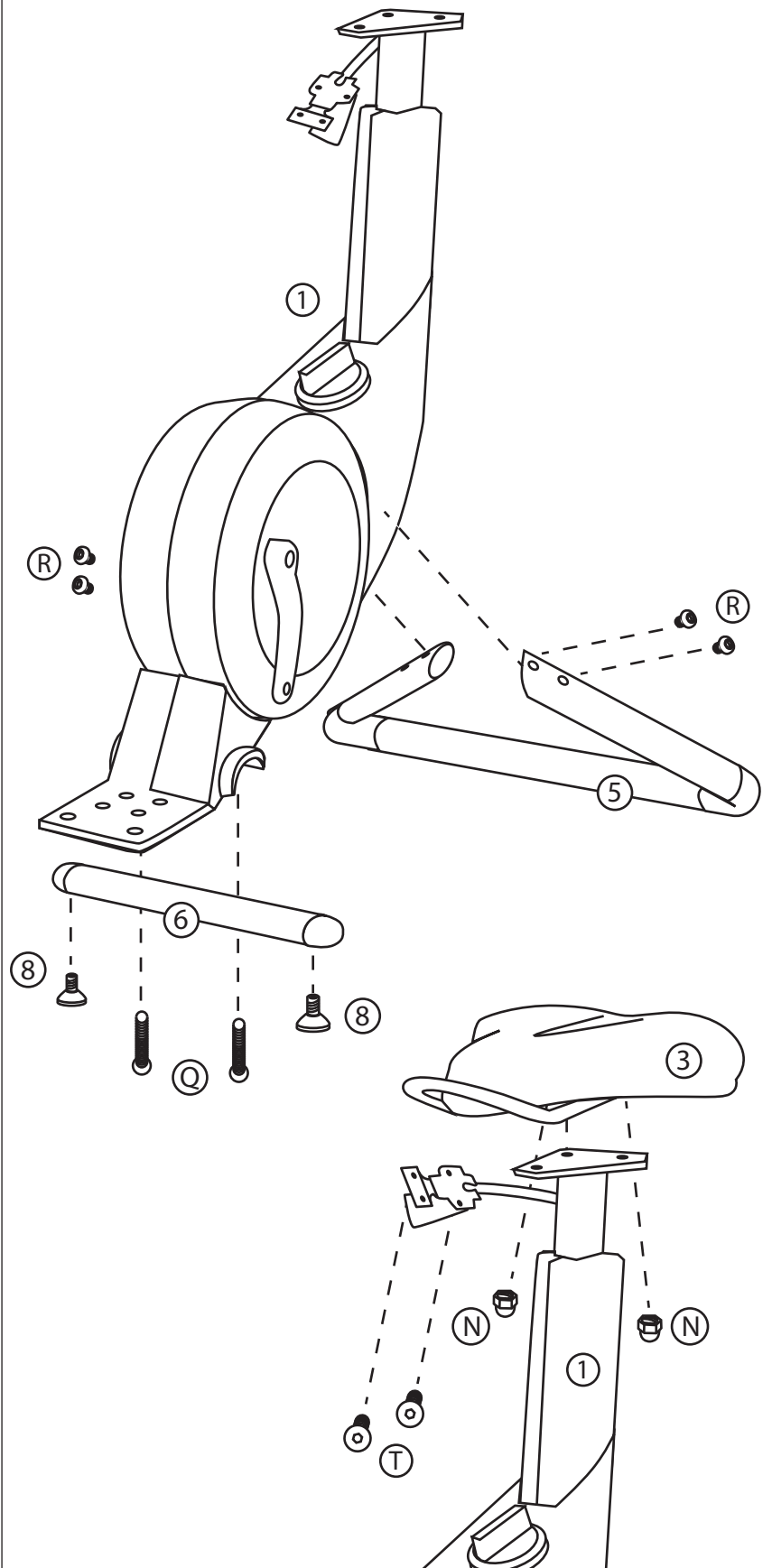
Secure with 2 x M8 50mm Bolts (Q) and use the Allen Key to tighten.

Screw 2 Adjustable levelers (M2) into the 2 side holes of the front Foot Support.

Step 3

Secure the saddle (2) on to the top of gas lift column of the Main Frame (1). Align the holes of both the Column and the Saddle and lock in place using 3 Dome nuts (N) and tighten with the small spanner

Screw the Pneumatic Gas Lift switch under the saddle. Align the holes of both the Saddle and switch and secure with 2 M6 10mm Bolt (T).



Step 4

Place Pneumatic Lifting Column (4) on the front of the main Frame (1) and align the holes.

Put 4 spring washers (G2) and 4 washers (G3) onto 4 screws (G1). See image 1.

Secure the Pneumatic Lifting Column to the front base of the main frame using the four assembled screws. Tighten with Allen Key.

Step 5

Lay the desktop (3) onto the plate at the top of the Lifting column (4) and align the holes.

Secure with 4 screws (F) and tighten with the Allen Key.

Screw the pneumatic switch under the Desktop (3) with 2 16mm Screws (I) and tighten with the Allen Key.

Step 6

Identify the Left Pedal and the right pedal, screw in place and tighten using the spanner.

Note: Screw the Left pedal (7) anti-clockwise into the Left crank arm. Screw the Right pedal (7) clockwise onto the Right crank arm.

Click the decorative covers (9) onto Main Frame. (Left and Right sides are marked).

Screw the last 2 Adjustable levelers (8) into the front base of the Main Frame and secure with 2 Dome Nuts (M1) and tighten using the spanner. Adjust the Levelers to steady the Pedal Desk so there is no wobbling.

Operations

Gas Lift buttons:

While sitting on the seat, press the lift button to adjust the height. Placing weight on the table top while pressing the button will allow the height of the table to change.

Resistance Panel:

The resistance panel has "+" & "-" symbols.

Turn the knob clockwise "+" to increase resistance.

Turn anti-clockwise to "-" to decreases resistance.

