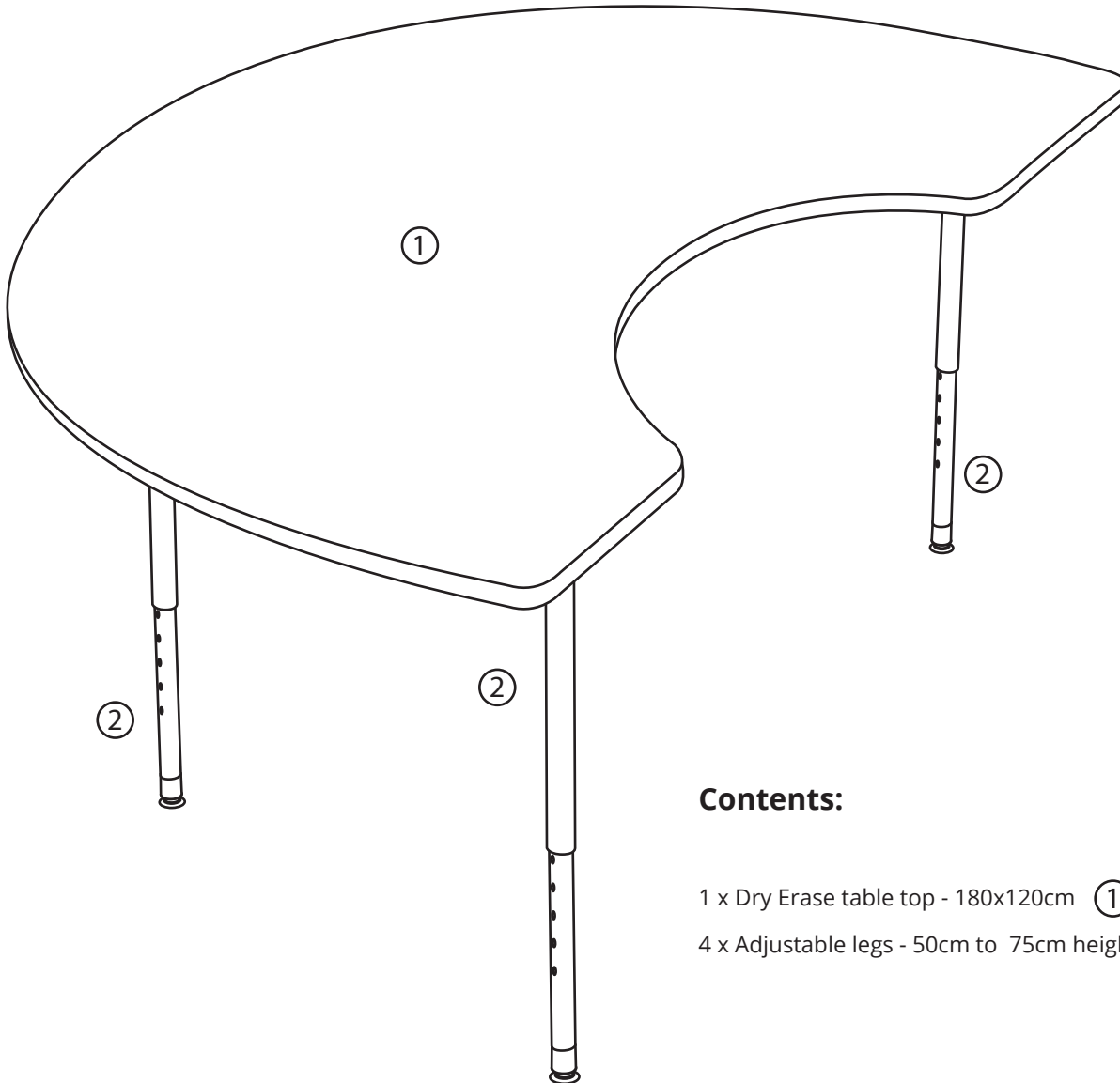


Dry Erase Jellybean Table

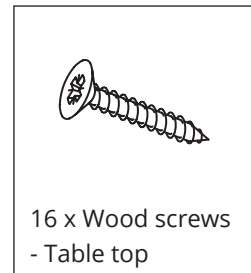
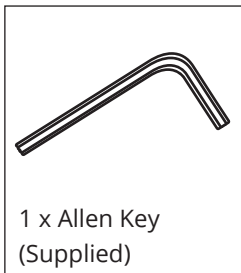
Code: ERDEJBT



Contents:

- 1 x Dry Erase table top - 180x120cm (1)
- 4 x Adjustable legs - 50cm to 75cm height (2)

Hardware:



Elizabeth Richards School Supplies PTY LTD

Ph: 1300 137 064

E: sales@elizabethrichards.com.au

www.elizabethrichards.com.au

To start: Unpack contents and lay out on the floor. Identify all the parts and read through instructions to familiarize yourself with the construction process.

Step 1

Lay the table top (1), dry erase side down on the floor.

Align all four legs (2) against the corresponding holes on the underside of the table top.

NOTE:

3 Hex socket screws attach to each corner of the triangle base plate. Use the supplied Allen Key.

4 Wood screws attach to the middle position holes of each triangle base plate. (See diagram 1).

(See diagram 1).

Repeat for all 4 legs.



12 x Hex socket screws - Table top



16 x Wood screws - Table top

Step 2

Adjust the height of the table by removing and replacing the Hex screw into the corresponding hole. Use the supplied Allen Key.

(See Diagram 2).



8 x Hex socket screws - Legs

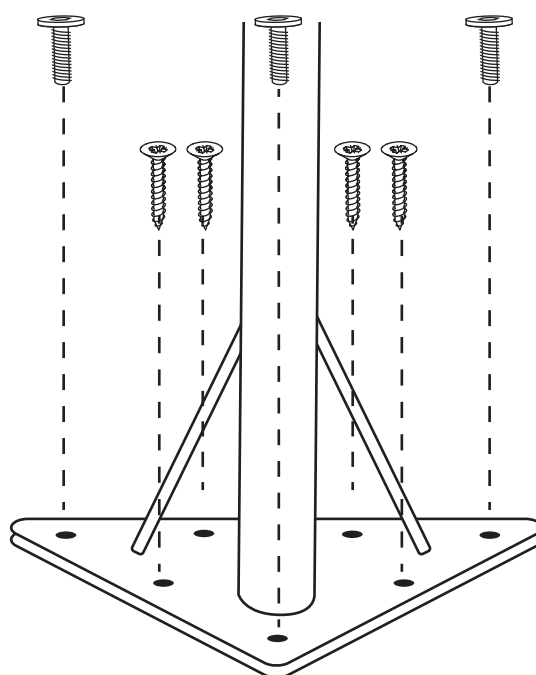
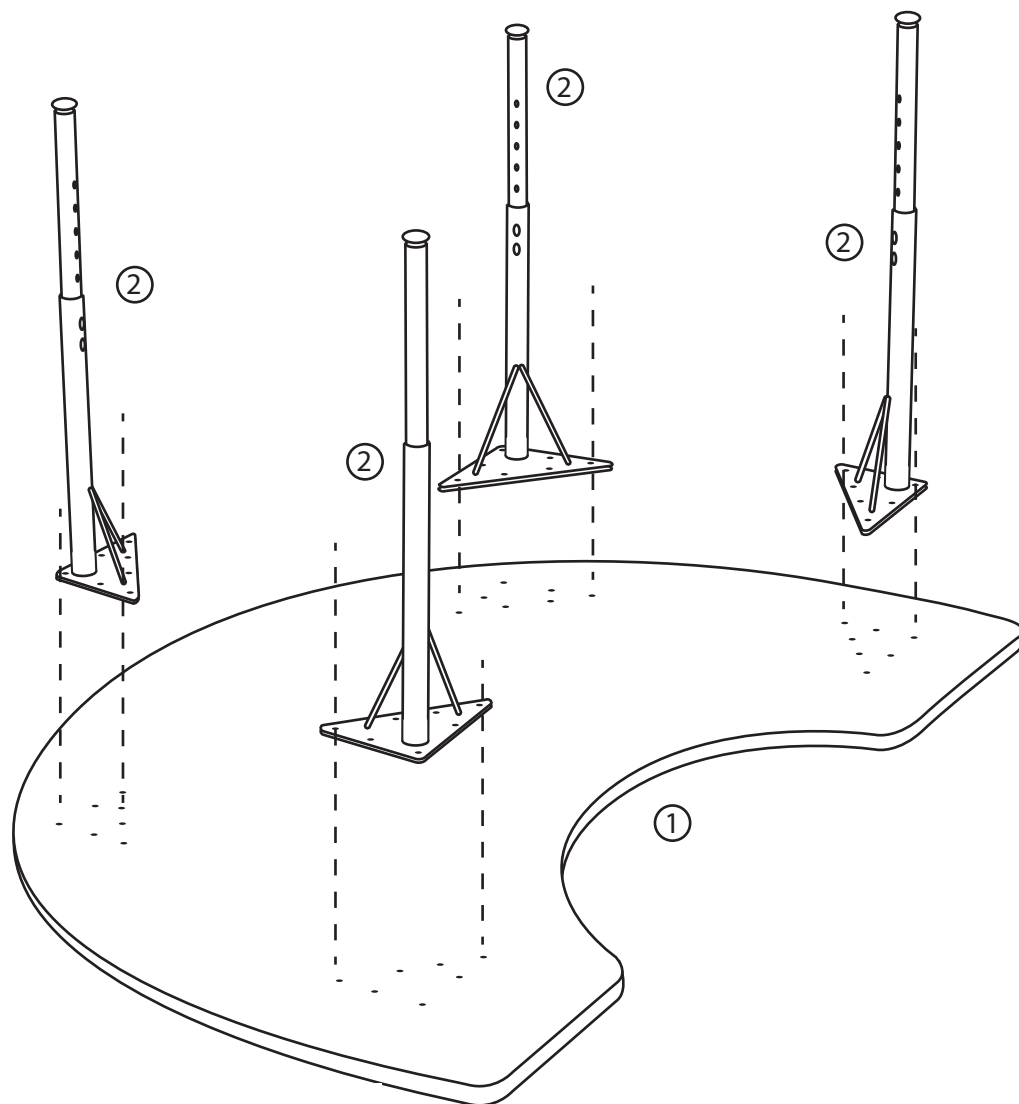


Diagram 1

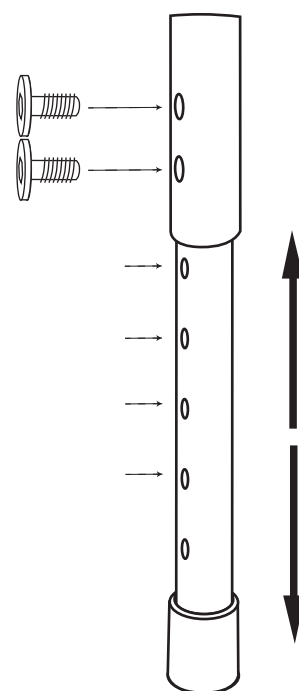


Diagram 2