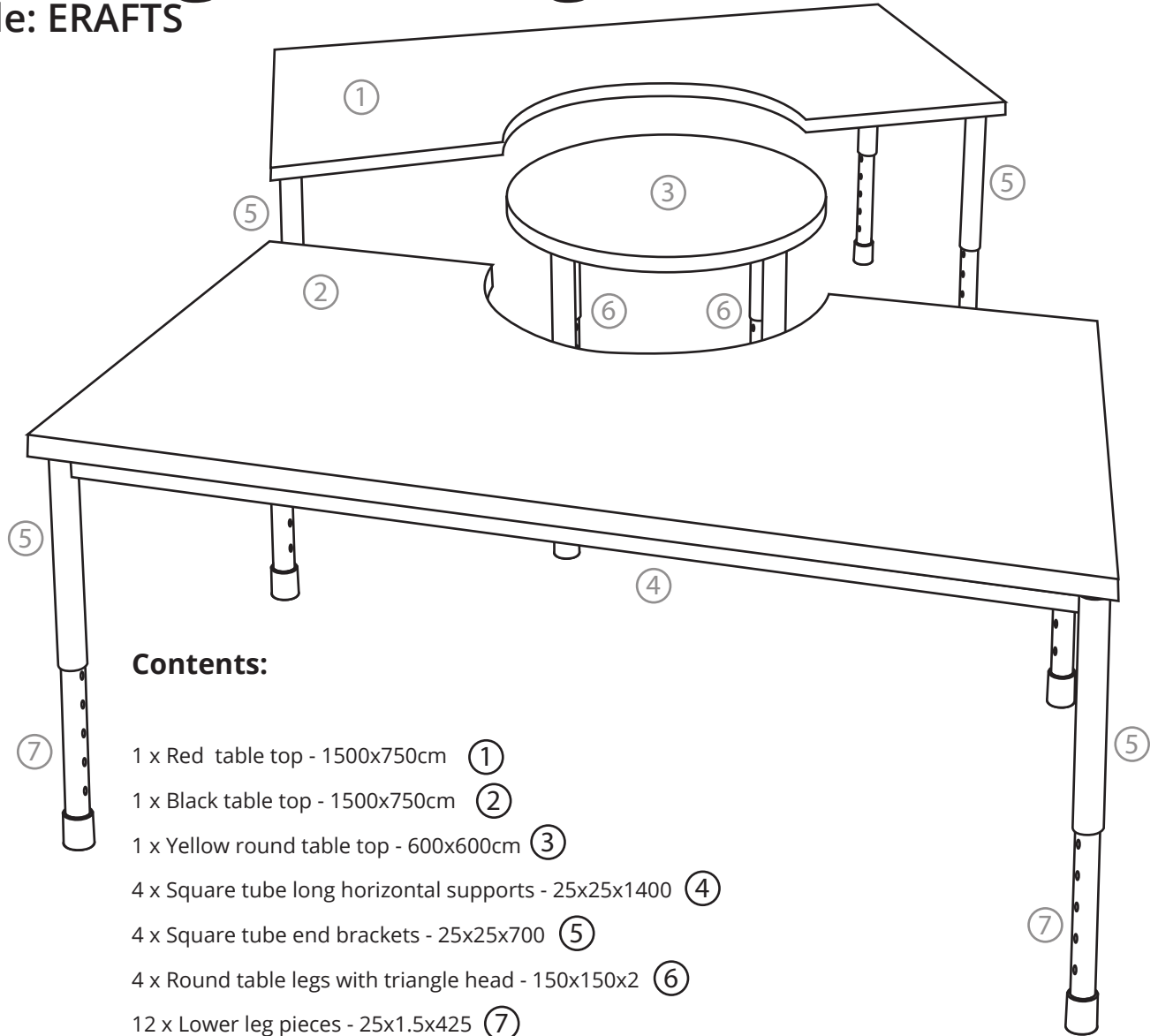


Aboriginal Flag Table

Code: ERAFTS



Contents:

- 1 x Red table top - 1500x750cm (1)
- 1 x Black table top - 1500x750cm (2)
- 1 x Yellow round table top - 600x600cm (3)
- 4 x Square tube long horizontal supports - 25x25x1400 (4)
- 4 x Square tube end brackets - 25x25x700 (5)
- 4 x Round table legs with triangle head - 150x150x2 (6)
- 12 x Lower leg pieces - 25x1.5x425 (7)

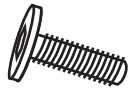
Hardware:

M6



1 x Allen Key

M6



8 x Bolts for fixing table tops to frame 35mm

M6



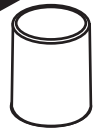
16 x Bolts for square table frame 15mm



12 x Bolts for round table legs 15mm



12 x Bolts for leg height adjustment 15mm



12 x Lower leg end caps 25x50mm

Elizabeth Richards School Supplies PTY LTD

Ph: 1300 137 064

E: sales@elizabethrichards.com.au

www.elizabethrichards.com.au

To start: Unpack contents and lay out on the floor. Identify all the parts and read through instructions to familiarize yourself with the construction process.

Step 1

Pair up the square tube end brackets (5) into left and right sides.

Assemble the horizontal supports (4) into both end brackets and fix in place with the 8 x 15mm bolts using the allen key supplied.

Repeat this process for the other half of the desk.

M6



16 x Bolts for square table frame 15mm

Step 2

Place one of the large table tops (1)(2) with the screw holes facing up and align with the frame as illustrated.

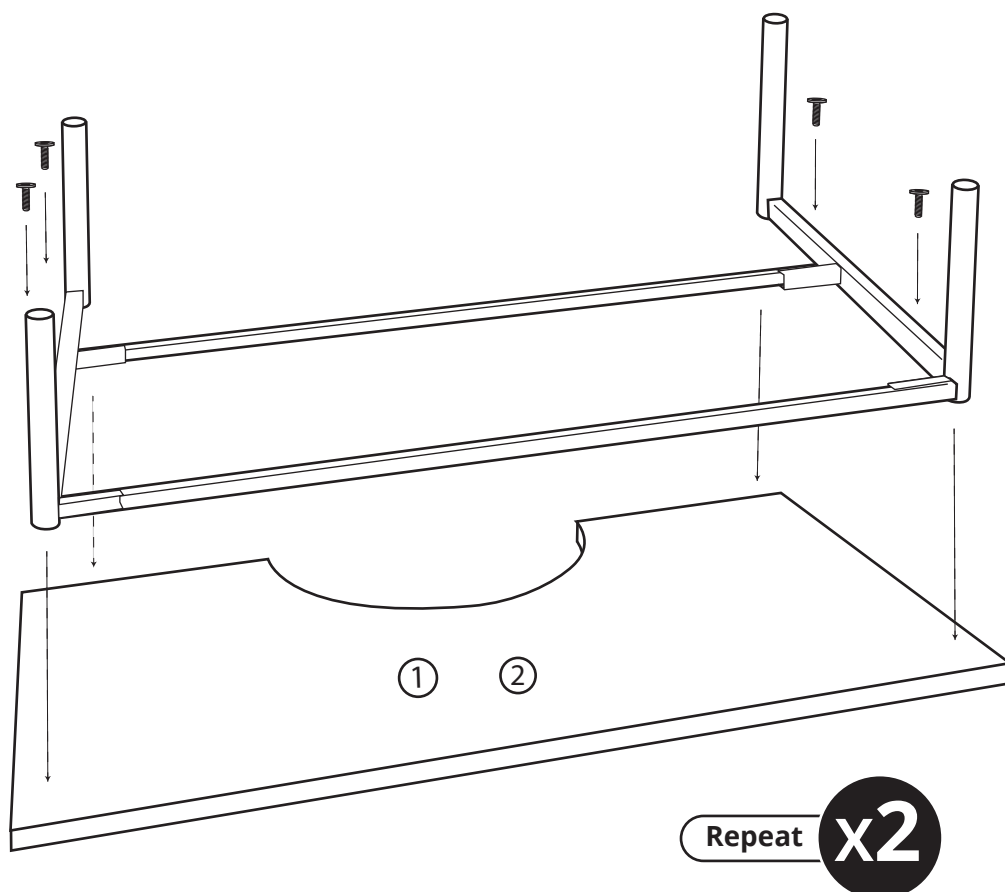
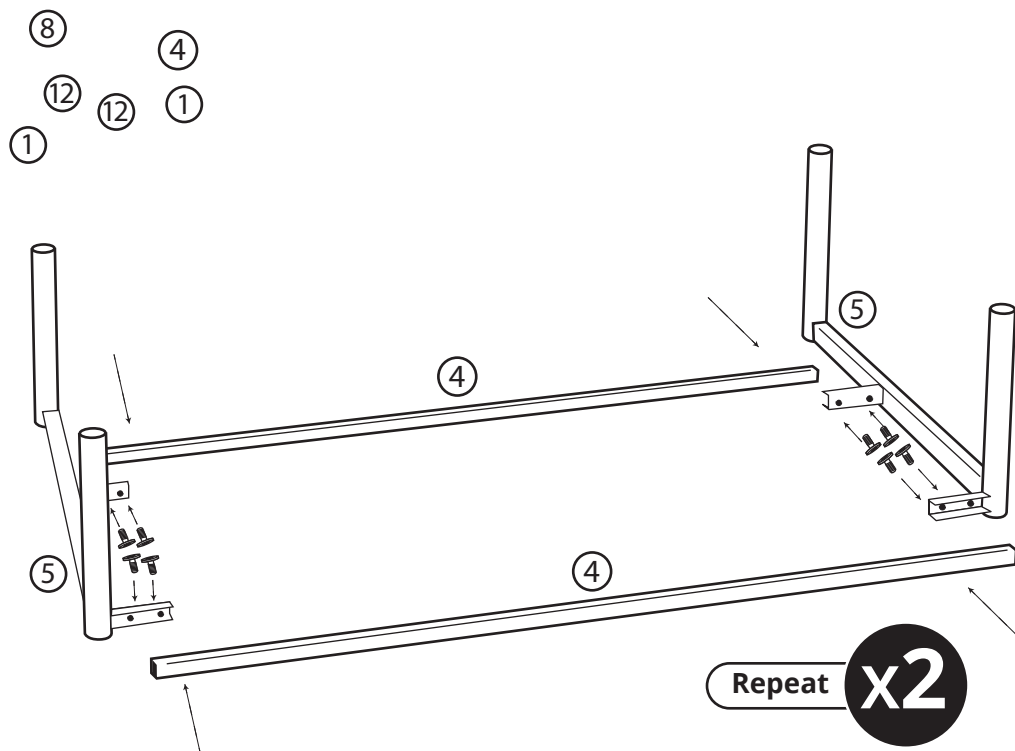
Use four of the M6 x 35mm bolts to secure the desk top to the frame to the table top using the allen key supplied.

Repeat this process for the other half of the desk.

M6



8 x Bolts for fixing table tops to frame 35mm



Step 3

Fix the four table legs (6) to the bottom of the round yellow table top using twelve of the M6 x 15mm bolts using the allen key supplied.

M6



12 x Bolts for round table legs 15mm

Step 4

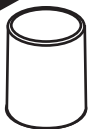
Slide the lower table legs (7) into each hole and secure them with one each of the M6 x 15mm bolts.

Place the lower leg end caps onto the lower sections of the table legs as below.

M6



12 x Bolts for leg height adjustment 15mm



12 x Lower leg end caps 25x50mm

Table is now complete and ready for use. It is recommended to keep the allen keys supplied incase the table height needs to be adjusted in the future.

