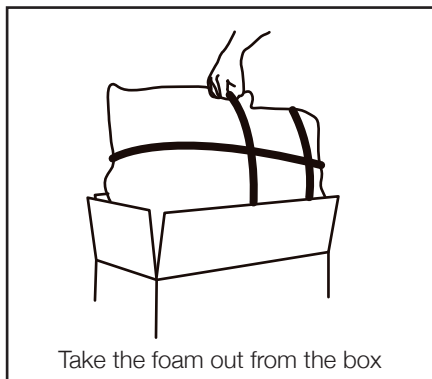
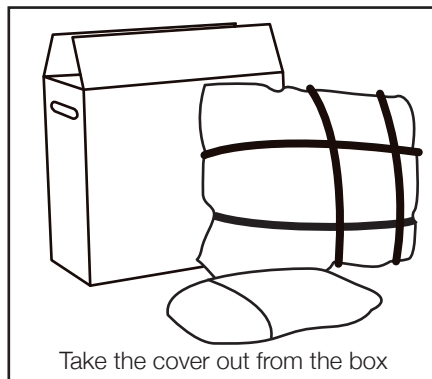


Open the box



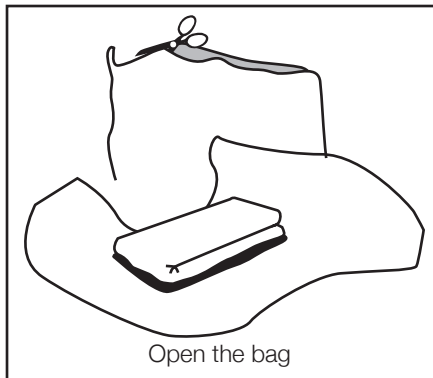
Take the foam out from the box



Take the cover out from the box



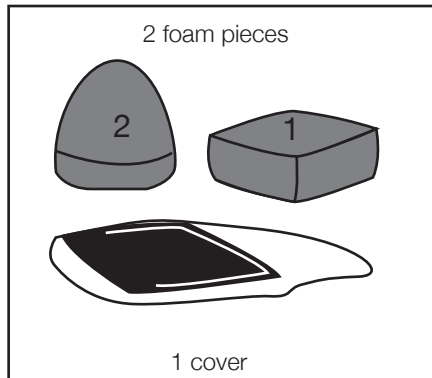
Warning!
Don't cut the foam



Open the bag

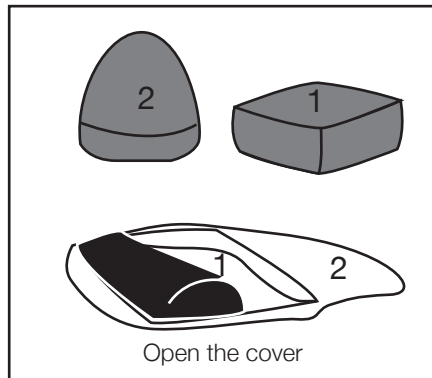


Take the foam out from the bag

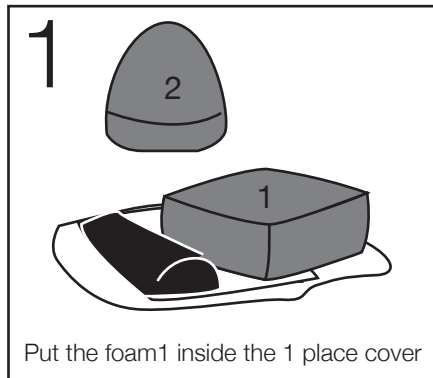


2 foam pieces

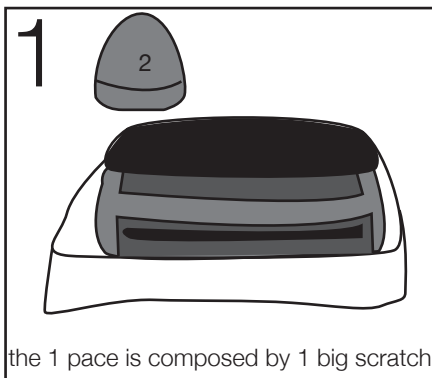
1 cover



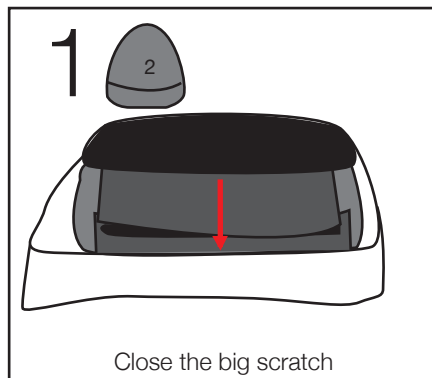
Open the cover



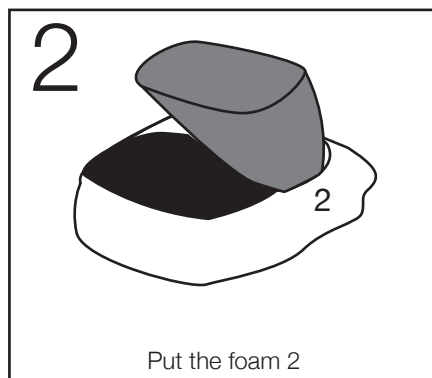
Put the foam 1 inside the 1 place cover



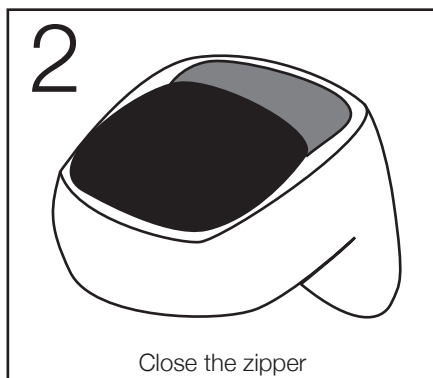
the 1 pace is composed by 1 big scratch



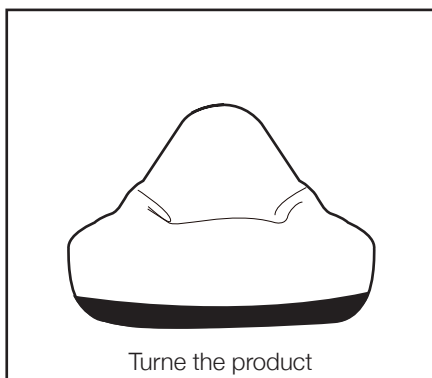
Close the big scratch



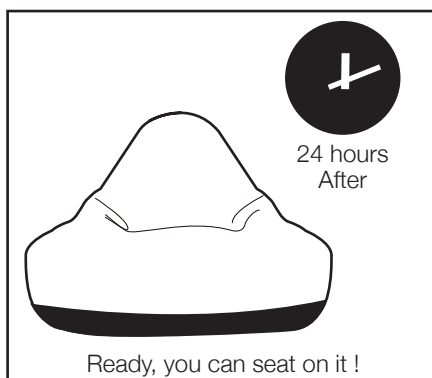
Put the foam 2



Close the zipper



Turne the product



Ready, you can seat on it !