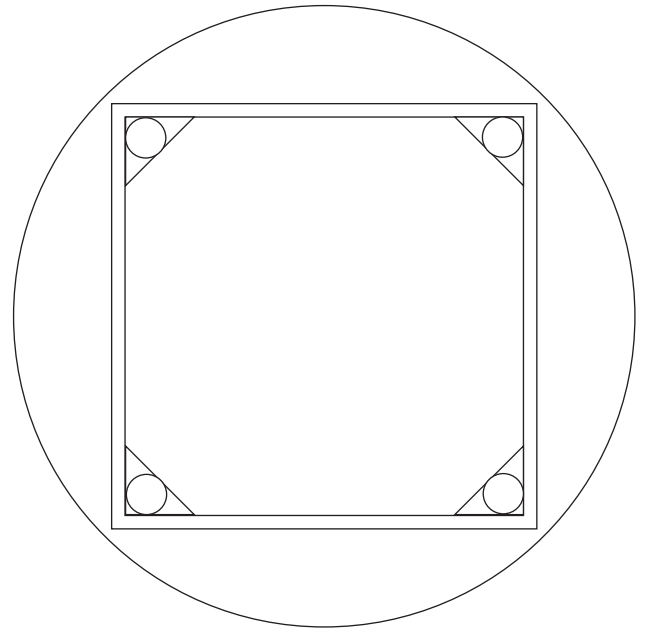
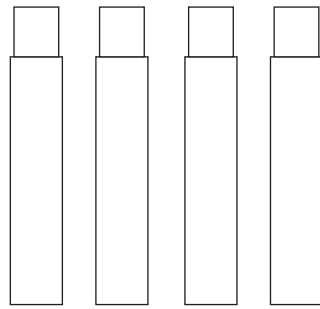


# 120cm Classroom Collaborative Table



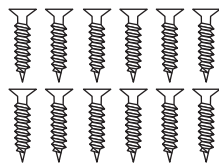
## Contents:

- 1 x 120 circular table top
- 4 x 28cm round legs
- 12 x 25mm 7G screws



## Recommended tools:

- Power Drill
- Philips Head Drill Bit



## Instructions:

1. Unpack the table top laying the top down on the ground with the metal frame facing upwards.
2. Unwrap the plastic from the 4 table legs, take each leg and insert the tapered end into one of the round metal collars on the table frame. (Fig#1)
3. Push the leg firmly into the sleeve and with the power drill screw 1 x 25mm screw into each of the 3 holes around the metal collar into the leg. (Fig#2) (repeat this process for each leg).

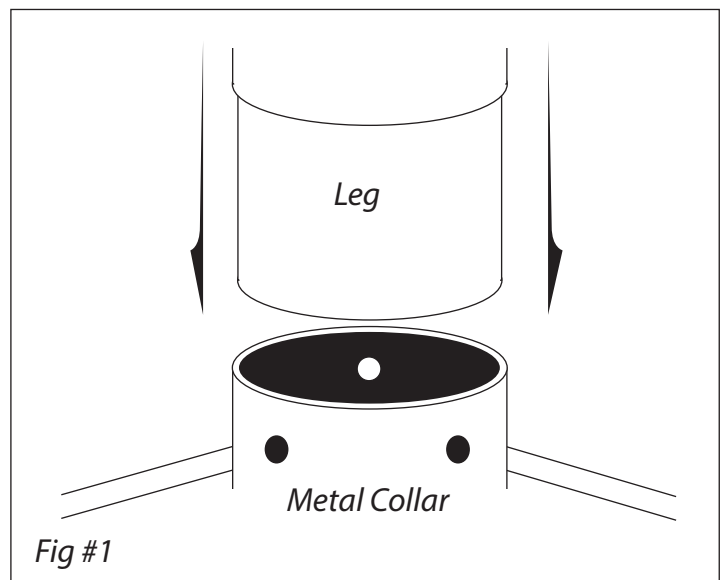


Fig #1

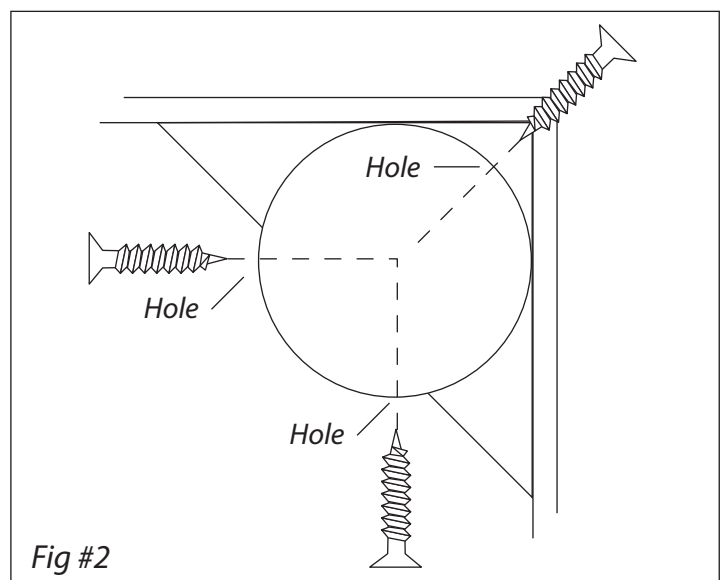


Fig #2