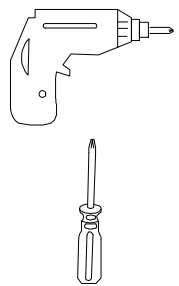
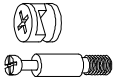



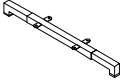
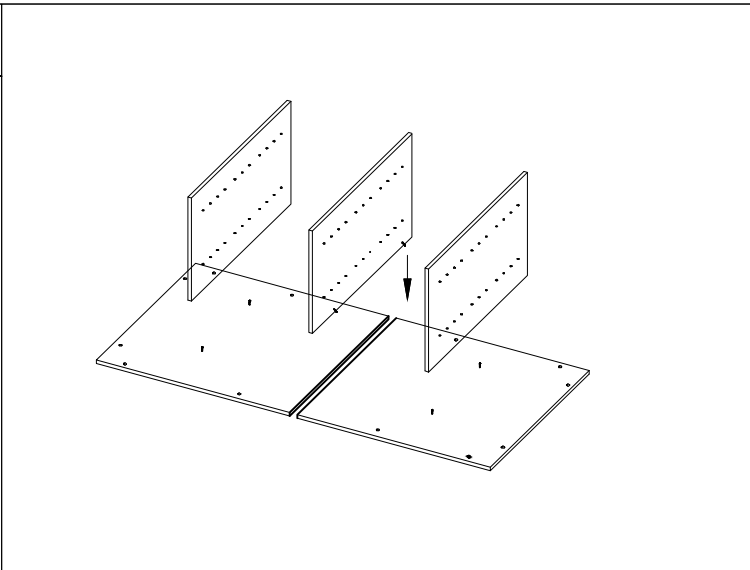
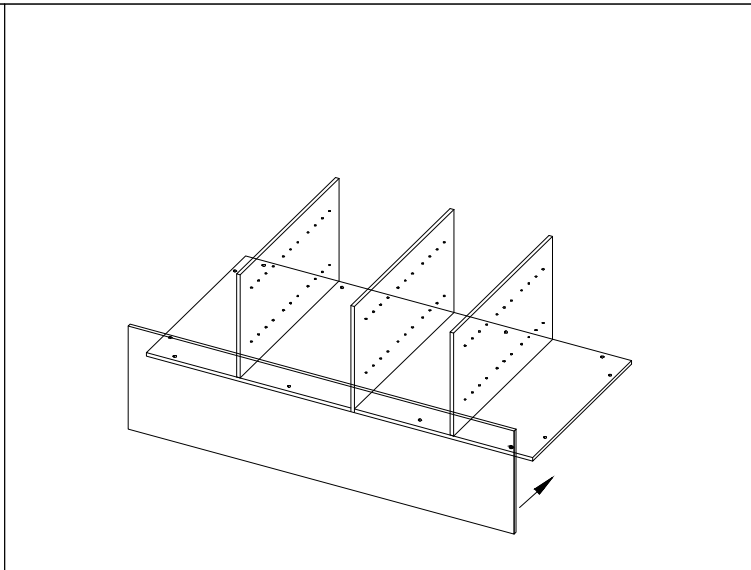


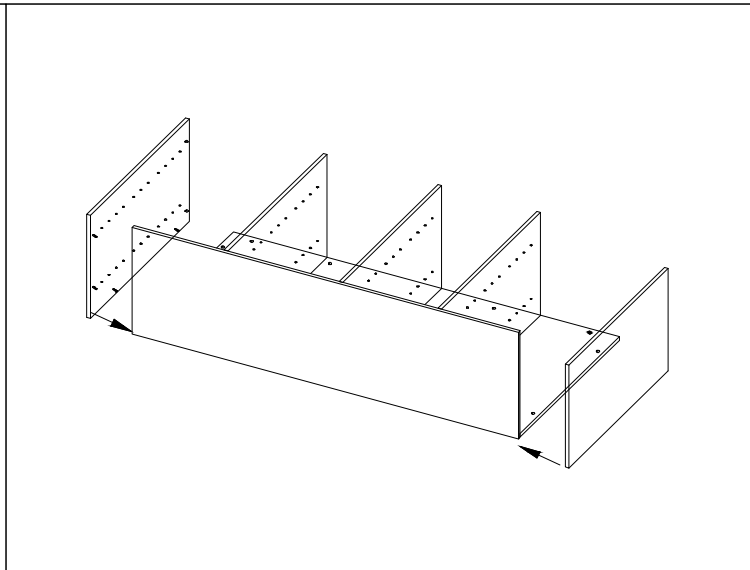
Tools	Connecting Parts		
	 A 40PCS	 B 20PCS	 C 5PCS
	 D 48PCS	 E 2PCS	



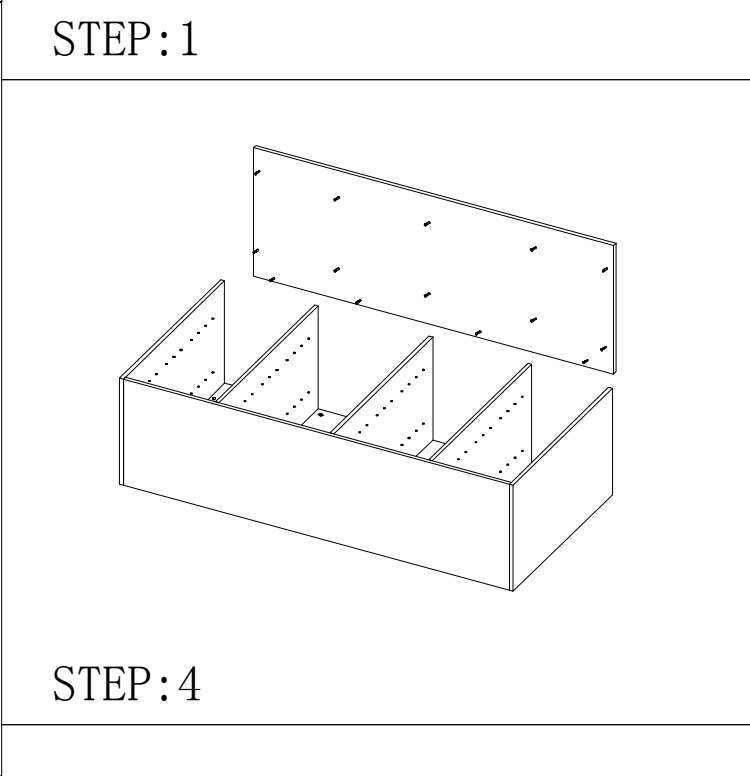
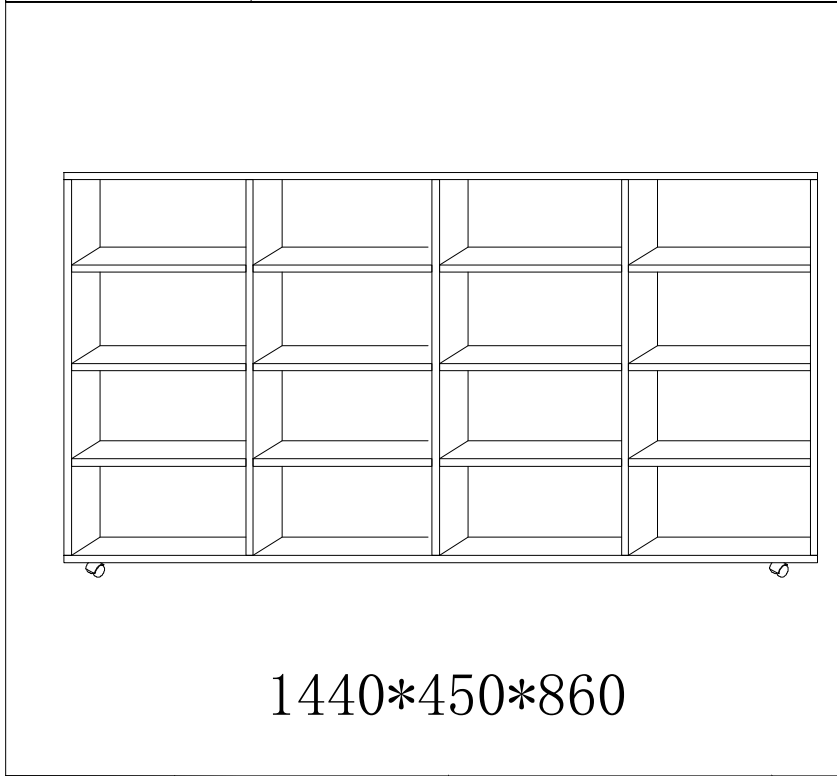
STEP:1



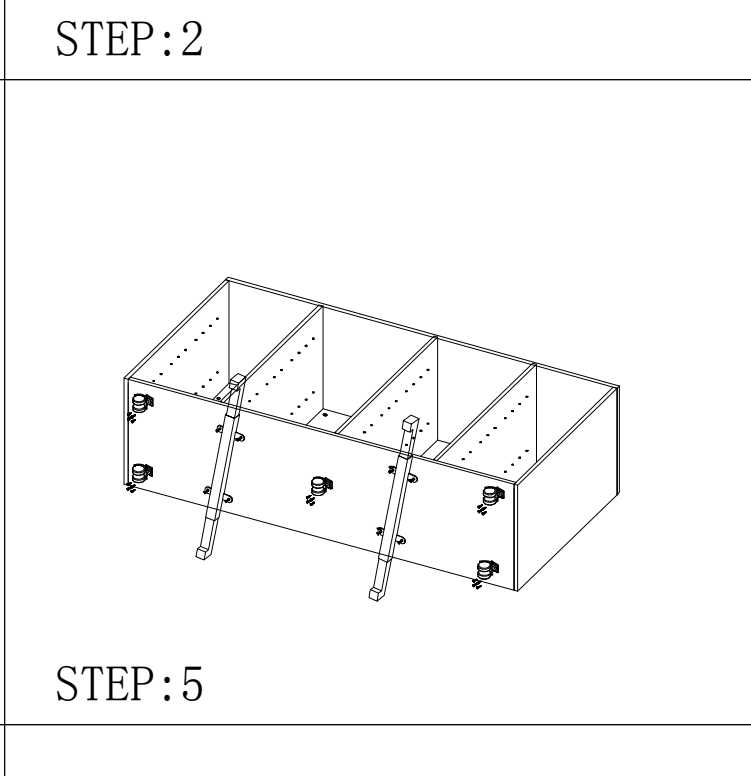
STEP:2



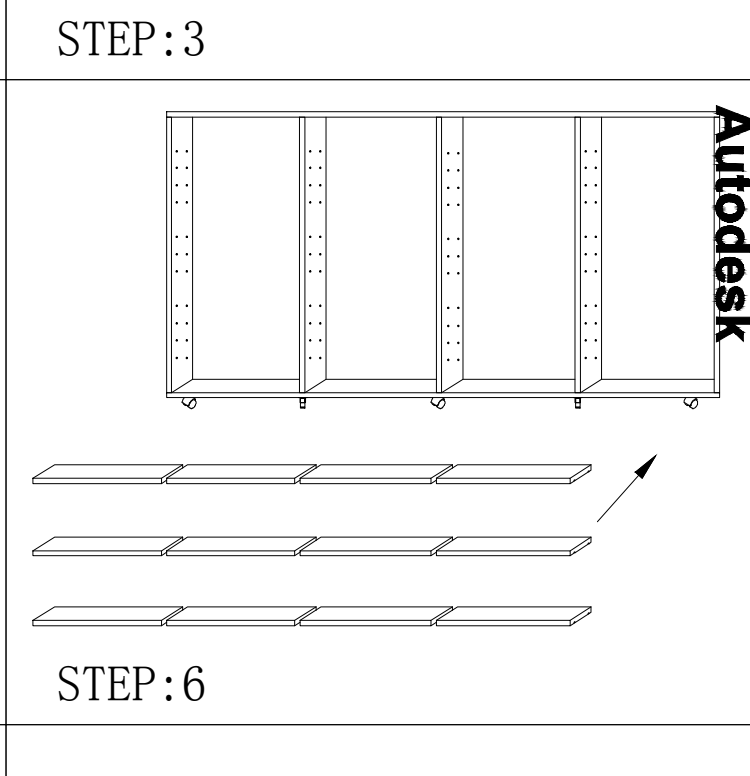
STEP:3



STEP:4

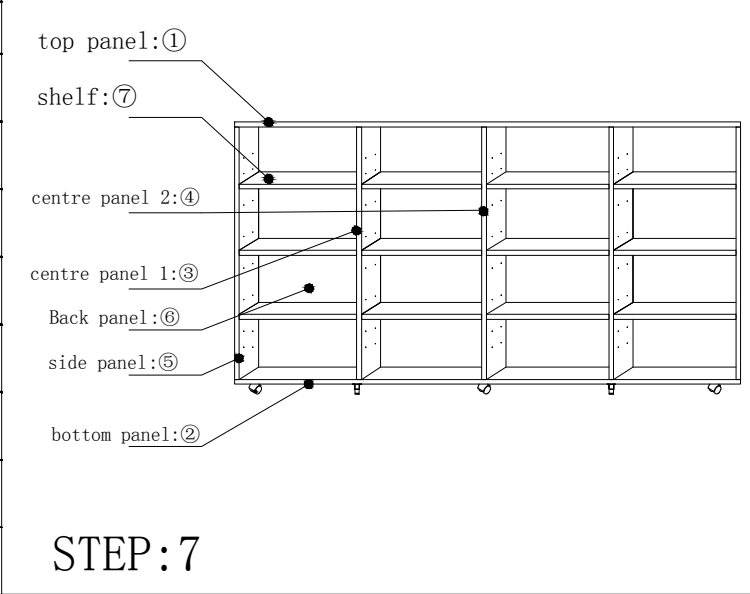


STEP:5



STEP:6

Seruse No	Description	Size(W*D*H)	Qty
(01)	top panel	1440*450	1
(02)	bottom panel	1440*450	1
(03)	centre panel 1	765*435	2
(04)	centre panel 2	765*450	1
(05)	side panel	785*449	2
(06)	Back panel	697*765	2
(07)	shelf	432*340	12
(08)			



STEP:7