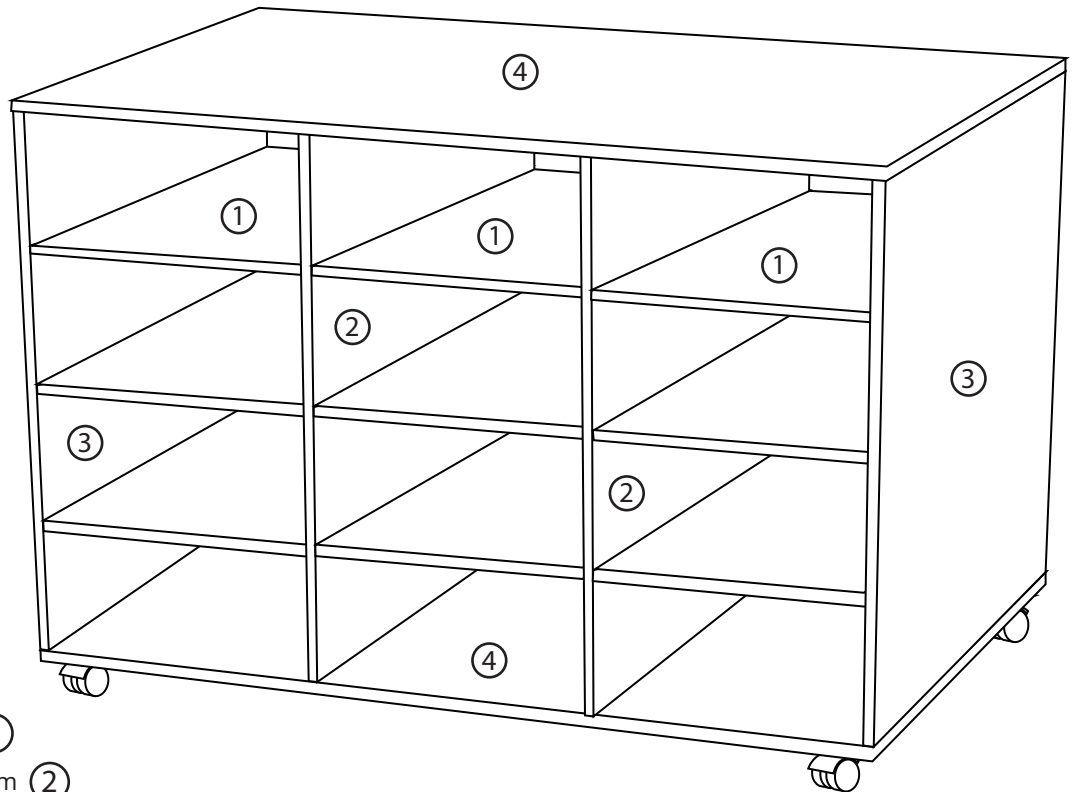


Mobile Storage Trolley

12 Bay

Code: ERMST12

**Meets Australian
Safety Standards
AS/NZS 4610.3:2020**

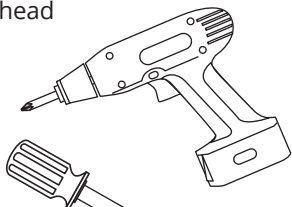


Contents:

- 9 x Shelves - 374x433cm (1)
- 2 x Mid Uprights - 435x765cm (2)
- 2 x Side uprights - 450x765cm (3)
- 2 x Top and Base shelves - 1180x452 (4)
- 1 x Back Panel - 1149x765 (5)
- 36 x Adjustable Shelf Screws

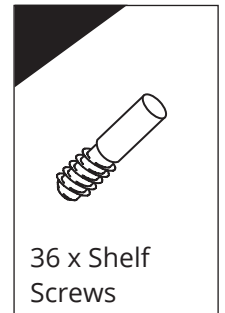
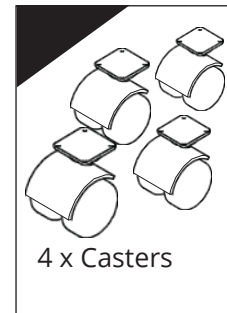
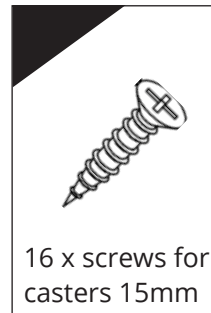
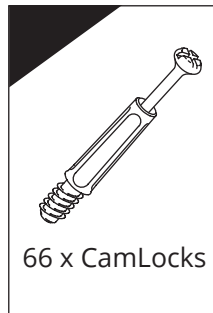
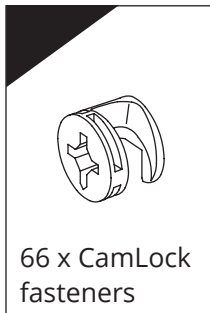
You will need:

Drill With a philips screw head



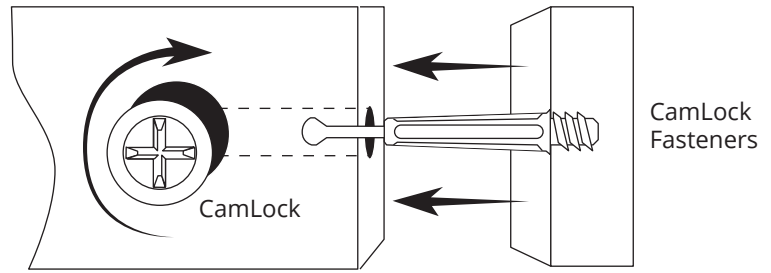
Short Philips head screwdriver

Hardware:



CamLocks

CamLocks create a very simple but strong joint. The CamLock Fastener drills into a Pre-made Plastic Sleeve in the Panel. The joining panel will have two holes: one for the Fastener to slide into and another for the CamLock to spin into and lock the tip of the fastener. The more the Camlock is turned the tighter its grip on the fastener.



TIP:

Always place the CamLock with the cross on the outside.
If the Fastener doesn't seem to be going in all the way, then the Cam Lock may need to be turned until it hooks the Fastener Tip.

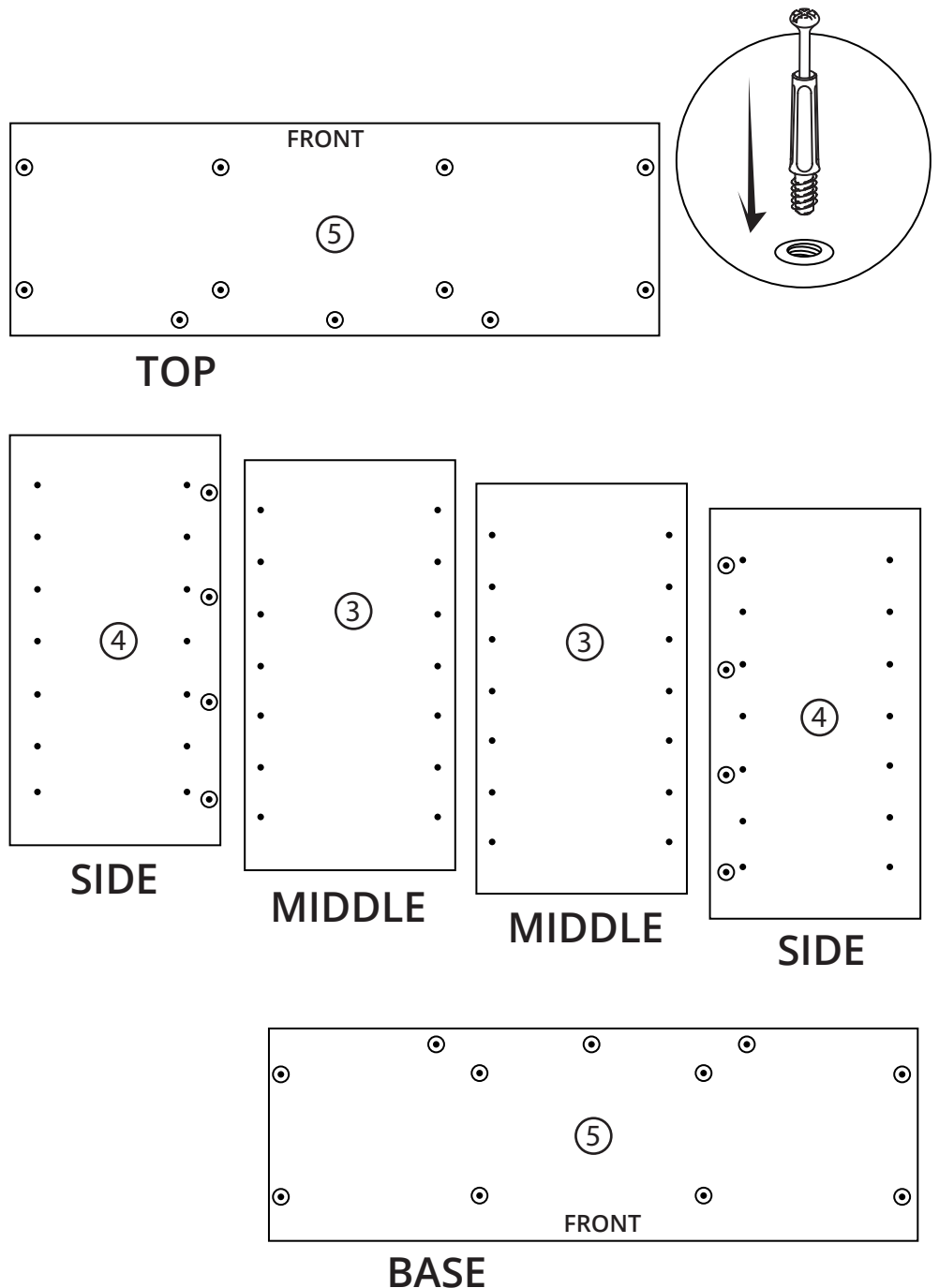
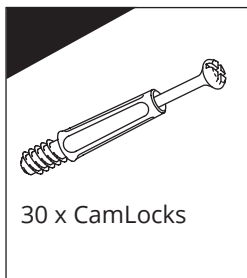
To start: Unpack contents and lay out on the floor. Identify all the parts and read through instructions to familiarize yourself with the construction process.

Step 1

Begin by screwing all of the camlocks into the pieces. Having all the CamLocks in will help in assembly - making sure everything is in the right position before you use the camlock fasteners.

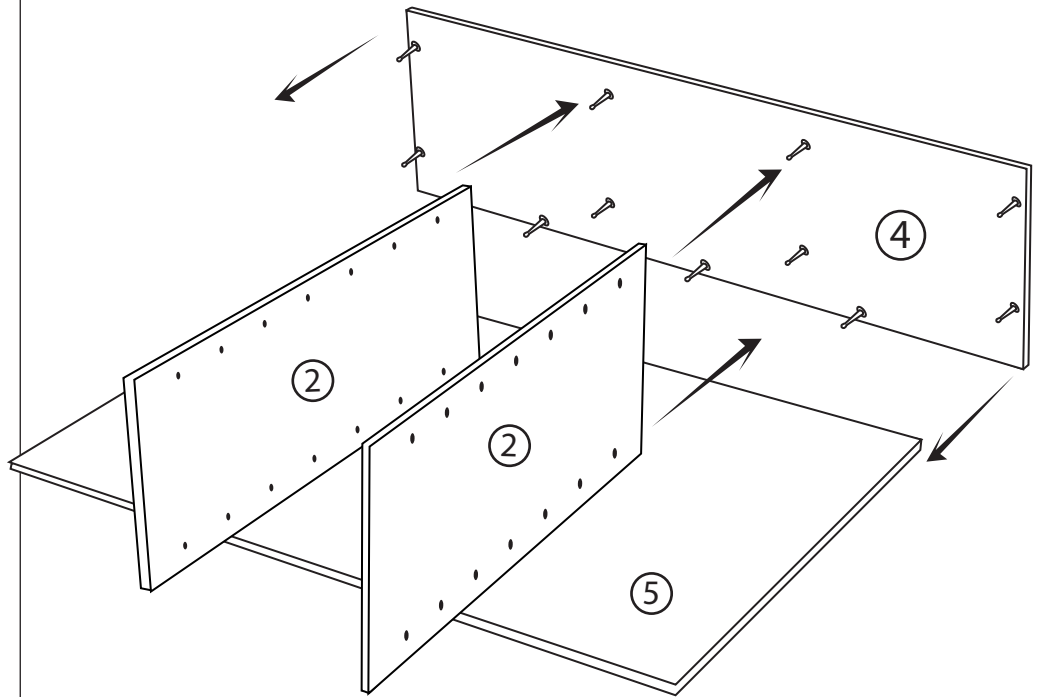
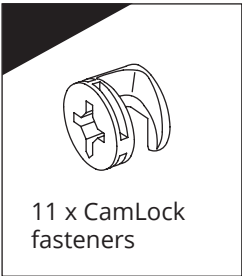
Note: All panels have pre-made holes for the adjustable shelf screws.

The centre panels (3) have shelf screw holes on both sides.



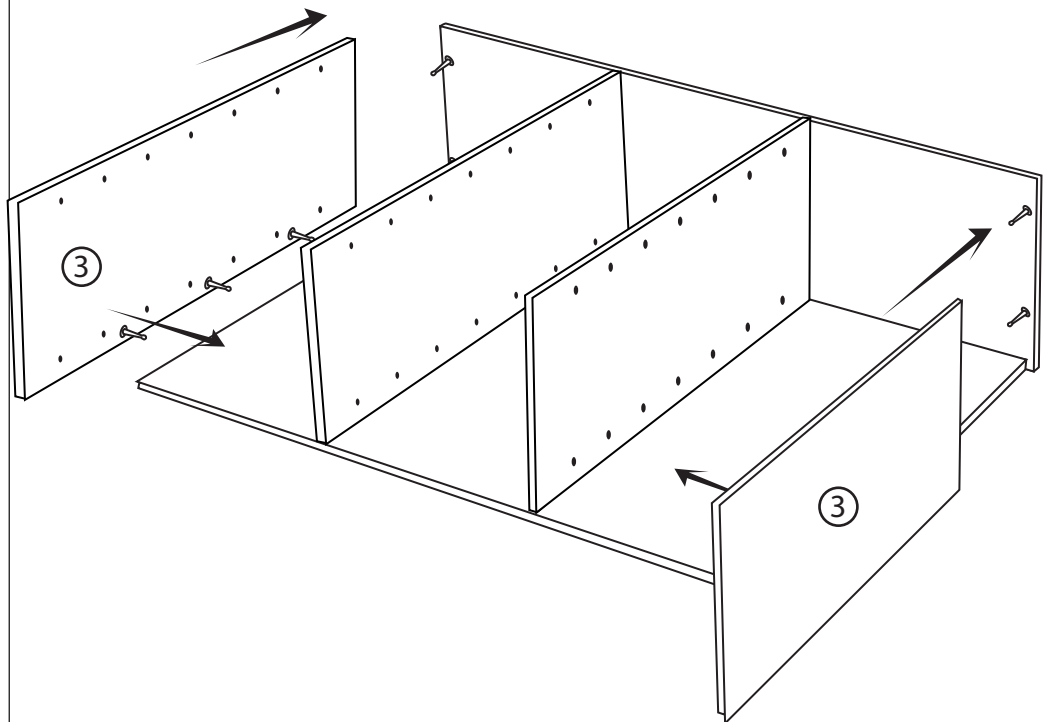
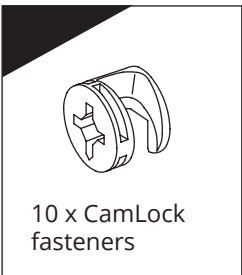
Step 2

Start with Top Panel (4) and secure it into the top of the Back Panel (5). Then slide both Middle Uprights (2) into place and secure everything with the camlock Fasteners.



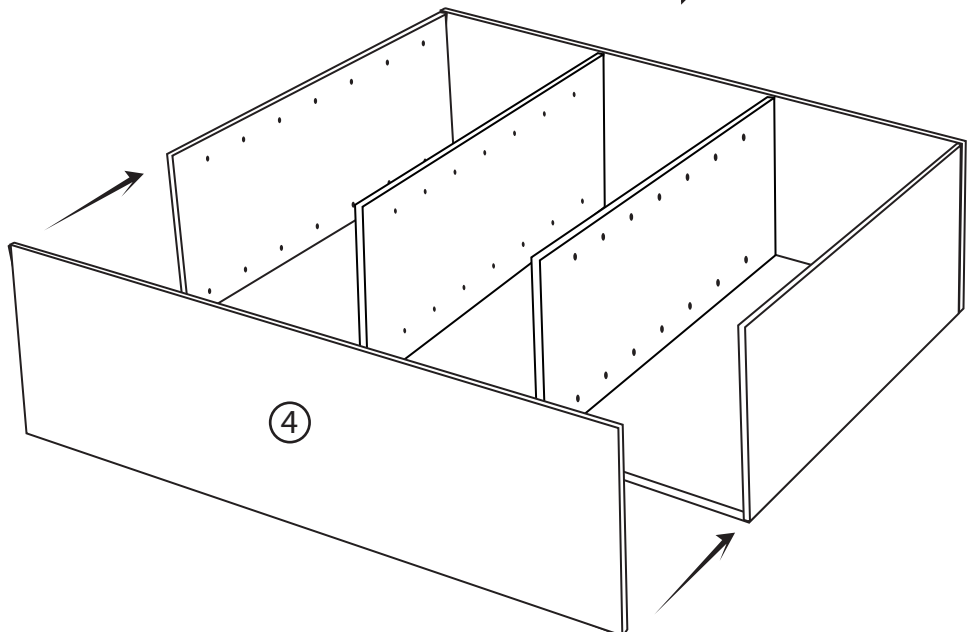
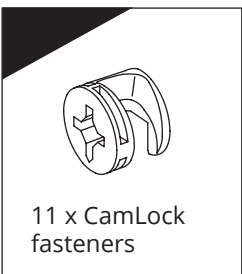
Step 3

Carefully slide the Side Panels (3) into place making sure they connect to the top panel (4) before curving into place against the Back Panel (5). Secure everything with camlock Fasteners.



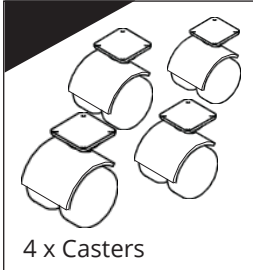
Step 4

Slide the Base Panel (4) into place connecting all the remaining upright panels. Secure with Camlock fasteners.

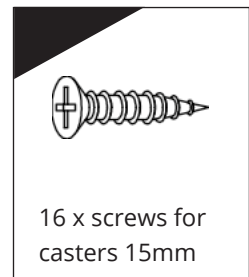


Step 5

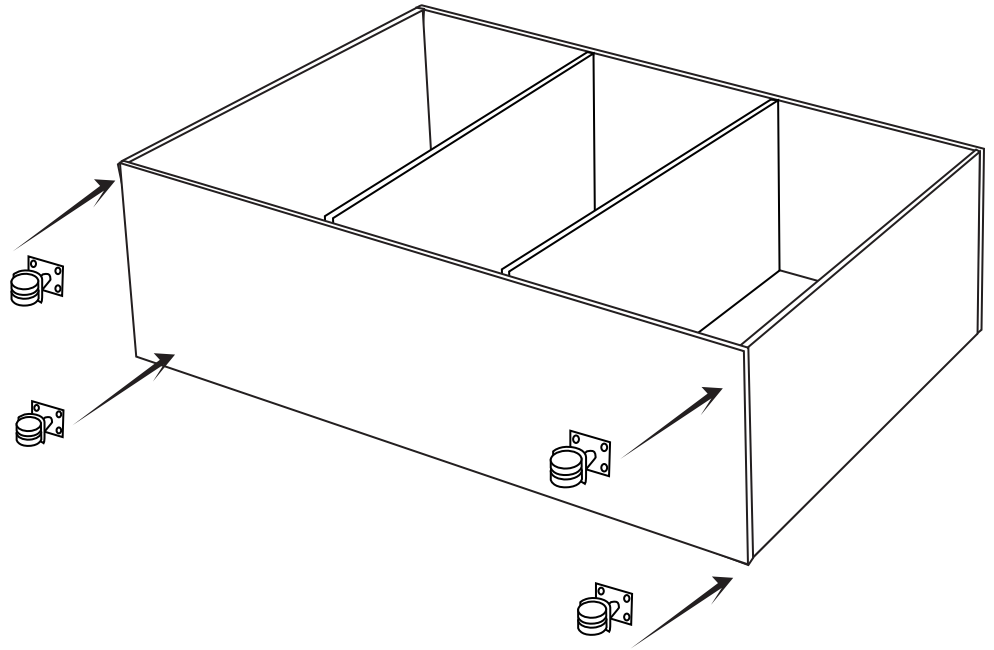
Screw in the Casters to each corner, allowing for about a cm of space to each edge using the 16 x 15mm screws.



4 x Casters

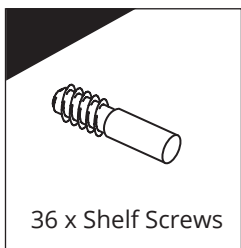


16 x screws for casters 15mm

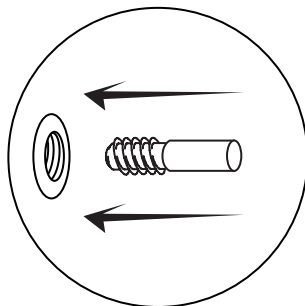
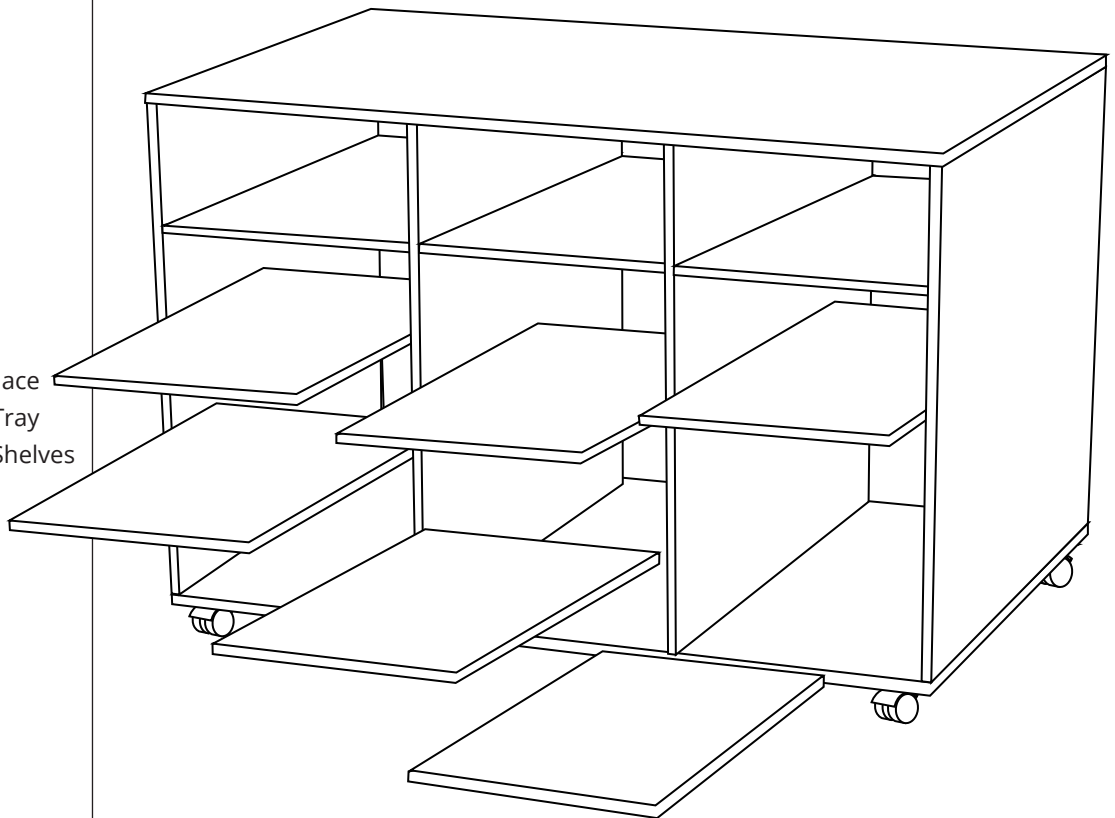


Step 6

Fit the shelf Screws into place to hold the desired Tote Tray combination. Then slide Shelves ① into place.



36 x Shelf Screws



Shelf Screws fit easily into the pre-made holes. Make sure the same Screw corresponds to the other side To keep the shelf straight.